



Pocket Reel Instructions

IMPORTANT:

The line has been fitted to the spool by machine and may be pulled tight. To avoid snagging on its first use fully unwind the line on dry land, then rewind manually ready for its first use. This will ensure that the line can extend freely to its full length when used on a dive, and give the opportunity to accurately measure the line prior to use.

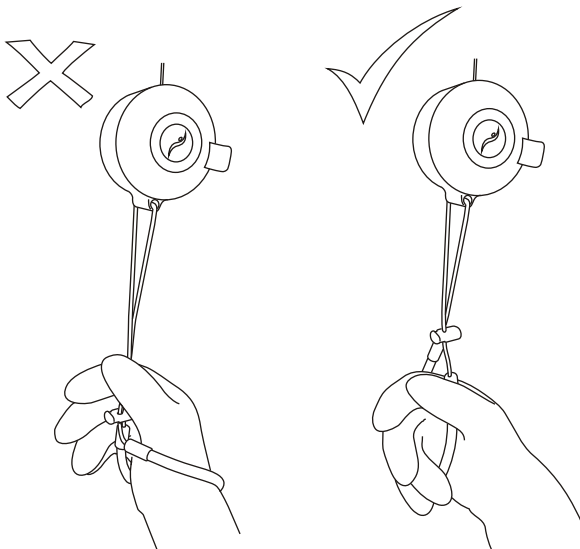
Parker Diving Ltd. T/A A.P Valves
Water-Ma-Trout Industrial Estate
Helston
Cornwall
TR13 0LW

TEL: 01326 561040

FAX: 01326 573605

E-mail: customersupport@apvalves.com

Website: www.apvalves.com

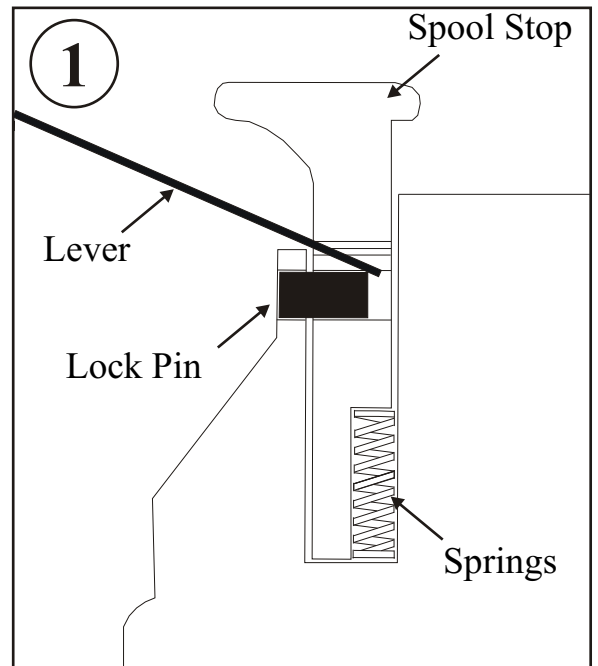
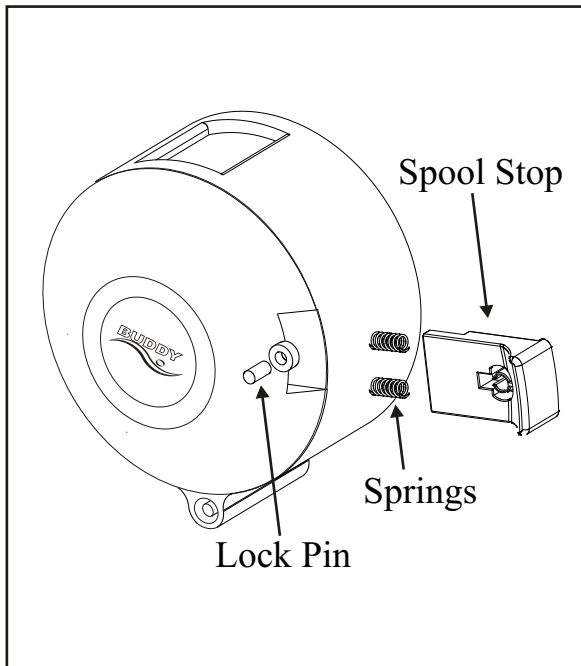


When using the reel with SMBs do not secure around wrist whilst inflating. Holding the strap in the palm of the hand allows instant release if required.

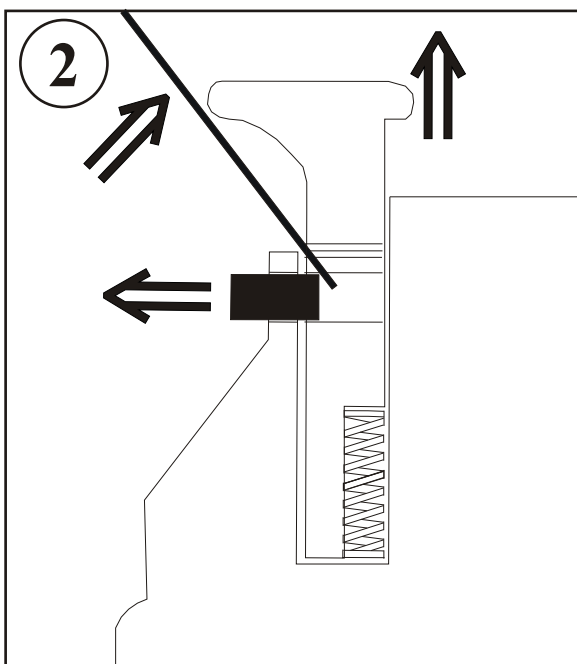
The Buddy Pocket Reel is a versatile, multi-purpose dive reel which can be used with surface marker buoys, delayed SMBs, or as a distance line from a fixed point such as the bottom of a shot line, or deco-station. The reel's small size makes it highly convenient to carry and use, while its closed design reduces tangling.

The Pocket Reel is compact and rugged, incorporating features such as a corrosion resistant solid brass spindle, as well as 'O'ring and loop ended floating line for easy attachment. Another attachment option is the AP85a brass trigger clip (available separately).

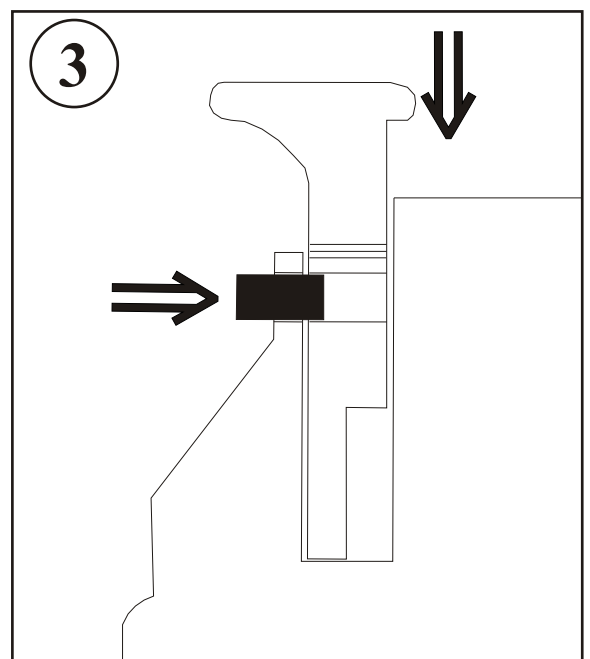
If you want to use the reel for deploying delayed SMB's the springs can be removed from the locking mechanism. This will prevent the Spool Stop from popping out and locking the reel if your thumb slips.



Using a small lever (e.g. needle or jewellers screwdriver), push out the Lock pin.



Once the pin is showing, pull the Lock Pin out with small pliers and remove the Spool Stop.



Remove the two springs from the recesses. Replace the spool stop and Lock Pin.